

Data Sheet



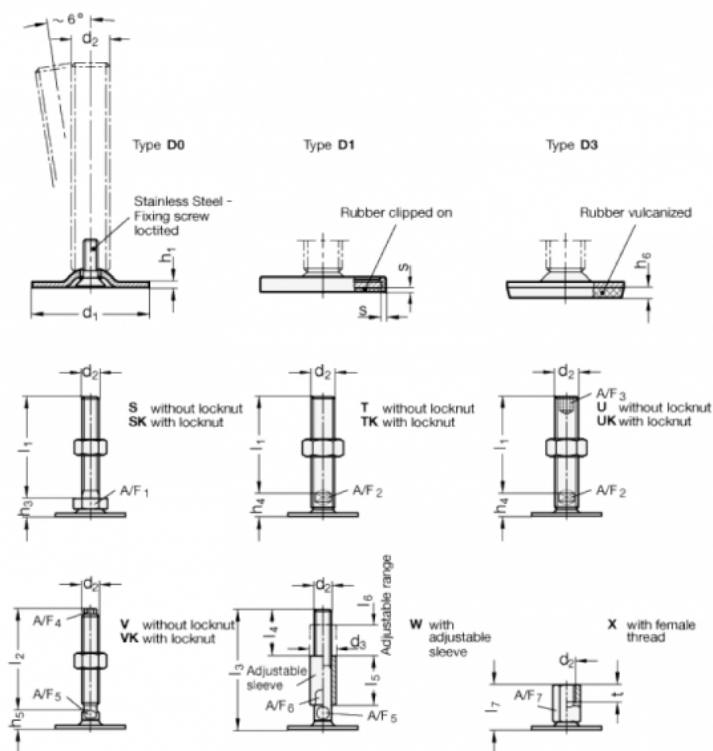
Article number: 204160M1675D1V

Description: E+G levelling foot

GN 41-60-M16-75-D1-V

Note: V Without nut, External hexagon at the top, Wrench flat at the bottom

Measures



A/F4 = 10

s = 2

A/F5 = 12

d1 = 60

d2 = M16

h1 = 2.5

h5 = 14

h6 =

l2 = 75